

# TM260



## Powerful, Yet Sensitive!

The new TM260 takes the legendary performance of the B260 to your vessel's transom. This top-of-the-line broadband transom-mount brings crystal clear imaging to any of today's fishfinders. The large 200 kHz element and the seven-element 50 kHz array are excellent for bait and game fish separation along with detecting ground fish holding tight to the bottom. The TM260's high-performance mounting bracket is easy-to-install and has a streamlined shape that delivers high-speed performance up to 30 knots (35 MPH).

## Transom-Mount 1 kW HD Digital

### Fishing Applications

- Blue-water trolling using 50 kHz
- Deep-water bottom and wreck fishing up to 800 m (2,625')

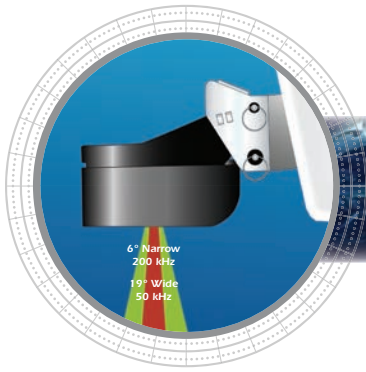
### Features

- Top-of-the-line narrow-beam transom-mount
- Designed for bottom fishing
- Wide 19° beam at 50 kHz
- Narrow 6° beam at 200 kHz
- For larger trailered boats 8 m to 12 m (25' to 40') with outboards and I/O's
- Interfaces to any 600 W or 1 kW sounder
- Depth and fast-response water-temperature sensor
- Kick-up assembly locks in the "up" position and will not damage the transom
- Accommodates transom angles between 3° and 21°
- Urethane housing





*Sensing Technology*

[www.airmar.com](http://www.airmar.com)



## Technical Information

### 50 kHz-AE / 200 kHz-BH

<b>Number of Elements and Configuration</b>		
<b>Beamwidth (@-3 dB)</b>	19°	6°
<b>RMS Power (W)</b>	1 kW	1 kW
<b>TVR</b>	162 dB	175 dB
<b>RVR</b>	-173 dB	-183 dB
<b>FOM</b>	-14 dB	-10 dB
<b>Q</b>	8	8
<b>Impedance</b>	250 Ω	90 Ω

### MAXIMUM DEPTH RANGE

50 kHz	200 kHz
529 m to 735 m (1,800' to 2,500')	206 m to 294 m (700' to 1,000')

### BEAM DIAMETER VS DEPTH

Depth	50 kHz	200 kHz
9 m (30')	3 m (10')	0.9 m (3')
30 m (100')	10 m (34')	3.3 m (11')
122 m (400')	41 m (134')	13 m (42')
305 m (1,000')	102 m (335')	32 m (105')

### TRANSDUCER COMPARISON

Model	Power	Rating	Performance Increase
P66	600 W	Good	Benchmark model for comparison
TM258	1 KW	Better	25 times more sensitive at 50 kHz 16 times more sensitive at 200 kHz
<b>TM260</b>	<b>1 KW</b>	<b>Superb</b>	<b>50 times more sensitive at 50 kHz</b> <b>13 times more sensitive at 200 kHz</b>

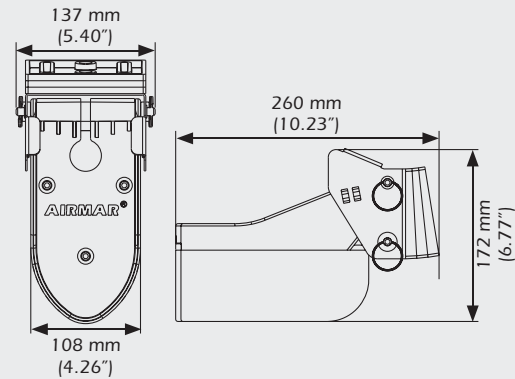
Due to the wide beams of the P48W and TM270W, they have been omitted from the table.

### SPECIFICATIONS

**Weight:** 4 kg (8.9 lb)  
**Hull Deadrise:** Up to 28°  
**Acoustic Window:** Urethane

### DIMENSIONS

#### TM260 Housing



#### TM260 Transducer

