

- *Highly accurate heading information readily available*
- *Stable and fast follow-up capability for rapid rate of turn*
- *Easy maintenance*



GPS Antenna GA-11



Indicator ECI 1 (Option)



Processor unit KGC-1

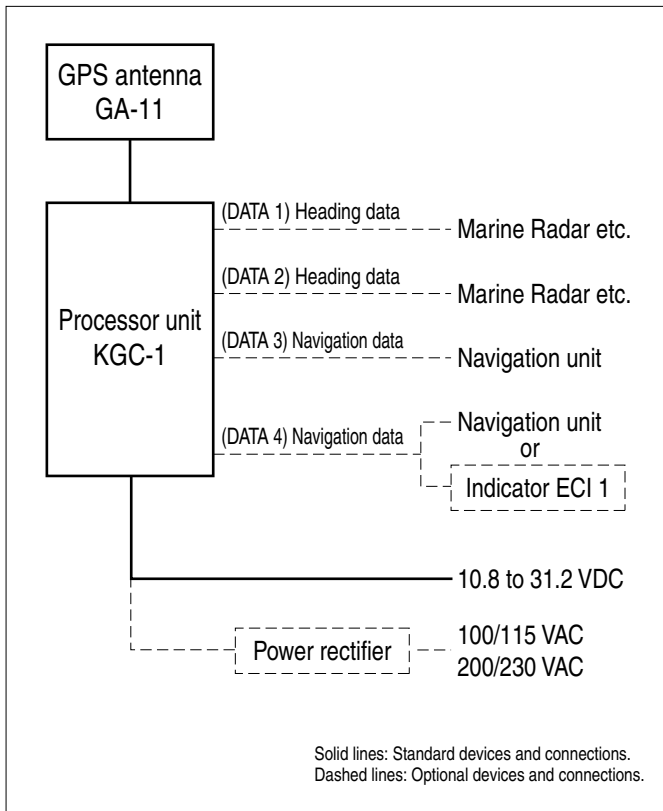
FEATURES

- The 1° rms heading accuracy has been achieved based on KODEN's unique phase measurement technique.
- Fast start-up! Heading information is available in approximately 2 minutes after the unit is turned on.
- In addition to the heading information, the unit provides own position and speed information.
- Unlike the conventional gyrocompass, no routine check or maintenance are necessary.
- Heading information can be shown in digital and analog format with ECI 1 (option).

SPECIFICATIONS

Receiving frequency	1575.42 MHz ± 1 MHz	
Receiving channel	Parallel 9 channel	
Sensitivity	Better than -130 dBm	
Setting time	2 min (at standard hot-start time)	
Heading accuracy	1° RMS	
Heading resolution	0.1°	
Rate of turn	Less than 25°/s	
Follow-up acceleration	Less than 1 g	
Pitch / roll angle	Less than 30°	
Base line length	0.5 m	
Time to position fix	Cold start	50 sec (standard)
	Warm start	45 sec (standard)
	Hot start	20 sec (standard)
Positioning accuracy	Position	GPS: 15 m (2DRMS, SA=OFF, PDOP≤3)
	Velocity	1 m / sec (RMS, SA=OFF, PDOP≤3)
Datum	86 system (WGS-84, Tokyo etc.)	
Output data level	RS-422	
Output data port	Heading data output: 2 (50 ms to 1 s)	
	Navigation data output: 2 (1 s)	
Output data format	NMEA 0183 Ver.2.0 / IEC61162-1	
Output data sentence	HDT, ROT, GGA, VTG, GLL, ZDA, GSA, GSV, RMC, PKODA, PKODG1, PKODG7	
Power supply	Voltage	10.8 to 31.2 VDC
	Consumption	Less than 8 W (at 24 VDC)
Temperature range	GPS Antenna	-25°C to +55°C
	Processor Unit	-15°C to +55°C
Water	GPS Antenna	IPX6
Protection	Processor Unit	IPX0

CONNECTIONS



EQUIPMENT LIST

Standard equipment

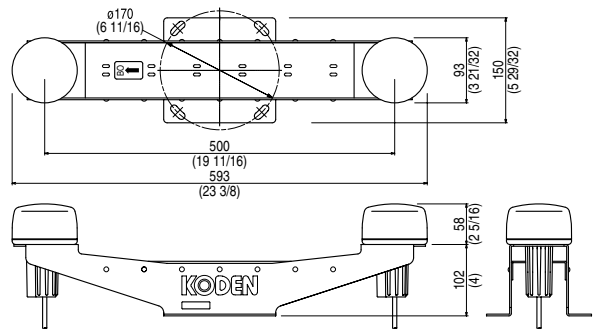
Processor unit	KGC-1		1.2 kg
GPS antenna	GA-11		1.4 kg
DC Power cable	CW-255-2M	With a 3 A fuse	2 m
Antenna cable	CW-392-15M	2 pcs. per set	15 m
Connecting cable	CW-376-5M	With 6-pin waterproof connector and one end plain	5 m
Fuse	F-7161, 3 A	For spare	1
Bird repellent fixture	D73MB23040	2 pcs. per set	2
Installation material			1 set
Operation manual			1

Options

Antenna cable	CW-393-30M	2 pcs. per set	30 m
	CW-394.KIT	2 pcs. per set	60 m
Connecting cable	CW-373-5M	With 6-pin waterproof connectors at both ends	5 m
	CW-374-5M	With a 6-pin connector and a 6-pin waterproof connector	5 m
	CW-376-5M	With a 6-pin waterproof connector and one end plain	5 m
	CW-381-5M	With a 38-pin connector and a 6-pin waterproof connector	5 m
Connector	LTWBD-06BFFA-L180	6-pin waterproof connector	1
Power rectifier	PS-003A	With 2 spare fuses (5 A)	2.8 kg
AC power cable	VV-2D8-3M	Flying leads on both ends	3 m
Indicator	ECI 1	Without cable (CW-376-5M required separately), Heading shown in digital and analog format, Res. 0.5°	0.27 kg

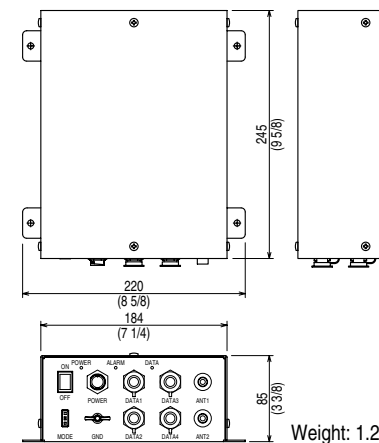
DIMENSIONS AND WEIGHT

GPS antenna GA-11



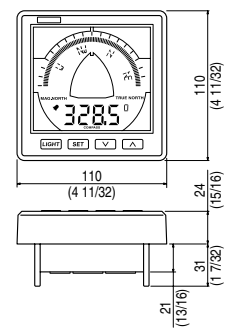
Weight: 1.4 kg (3.1 lb)

Processor unit KGC-1



Weight: 1.2 kg (2.6 lb)

Indicator ECI 1 (Option)



Weight: 0.27 kg (0.6 lb)

Unit: mm (inch)

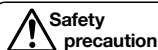
• Design and specifications are subject to change without notice.

KODEN Kodens Electronics Co., Ltd.

Tamagawa Office:
2-13-24 Tamagawa, Ota-ku, Tokyo, 146-0095 Japan
Tel: +81-3-3756-6501 Fax: +81-3-3756-6509
Uenohara Office:
5278 Uenohara, Uenohara-shi, Yamanashi, 409-0112 Japan
Tel: +81-554-20-5860 Fax: +81-554-20-5875

overseas@koden-electronics.co.jp

www.koden-electronics.co.jp



Safety precaution

To ensure proper and safe use of the equipment, please carefully read and follow the instructions in the Operation Manual.

For details, please contact: