

RUTLAND

MARINE MOUNTING STAYS KIT

(Part No: CA-12/32)



Marlec Engineering Co Ltd

Rutland House, Trevithick Road
Corby, Northants, NN17 5XY UK

Tel: 01536 201588 Fax: 01536 400211
Email: sales@marlec.co.uk www.marlec.co.uk

RUTLAND MARINE MOUNTING STAYS KIT

This kit is designed for use with the Rutland Windcharger Marine Mount Pole Kit (Part Nos: CA-12/01 & CA-12/02). Please refer to installation instructions thereof. This Stays Kit is designed for attaching your Rutland Marine Mounting Pole Kit to a 1" (25mm) diameter handrail (usually around the push-pit). It is highly recommended that the complete system is installed first without the Windcharger fitted.

Please read through these instructions carefully before commencing installation.

1. Check you have received: (see Fig.1)
 1. 2x 22mm dia x 1200mm Stays
 2. 4x 22mm i.d. dia End Caps
 3. 2x Hinged Rail Clamps
 4. 2x Split PVC Tubes 25mm (spacers)
 5. 2x 8mm Grommets
 6. 2x M6x20 Hex Head Screws/Washers & Nyloc Nuts
 7. 1x 3mm Allen Key
 8. 1x 3/16" Allen Key
2. What you will need:
 1. Screwdriver (Flat-blade)
 2. 2x10mm Spanners
 3. Measuring Tape
 4. Hacksaw
 5. Spirit Level
3. Determining the length of Stays:

When the location for the mounting pole has been established and the pole kit assembled the length of the stays must be determined. It is recommended that the angle of the stays between each other is in the range of 60 to 120° (see Fig.1) and the angle to the upright in the range of 30 to 45° (see Fig.2).

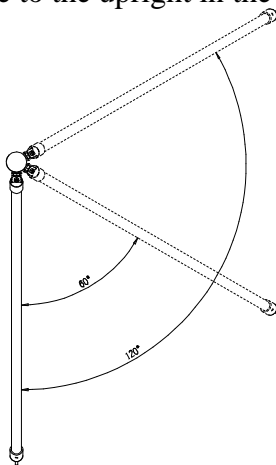


Figure 1

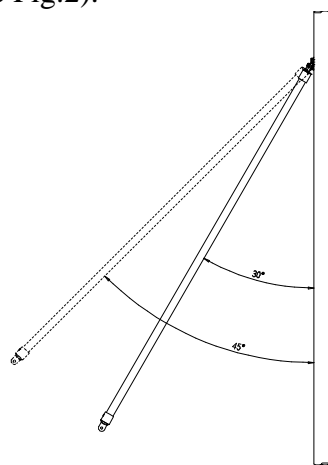


Figure 2

If this angle is exceeded then the stays should be cut down with a hacksaw. To determine the length fit the End Caps to the pole using the guy brackets supplied with the pole kit (see Fig.3) and the Hinged Rail Clamps and End Caps to the rail in the desired position (see Fig.4). Measure between the two and add 28mm x 2 to allow for the depth of the End Caps. Cut the stays to the required length and de-burr the cut ends.

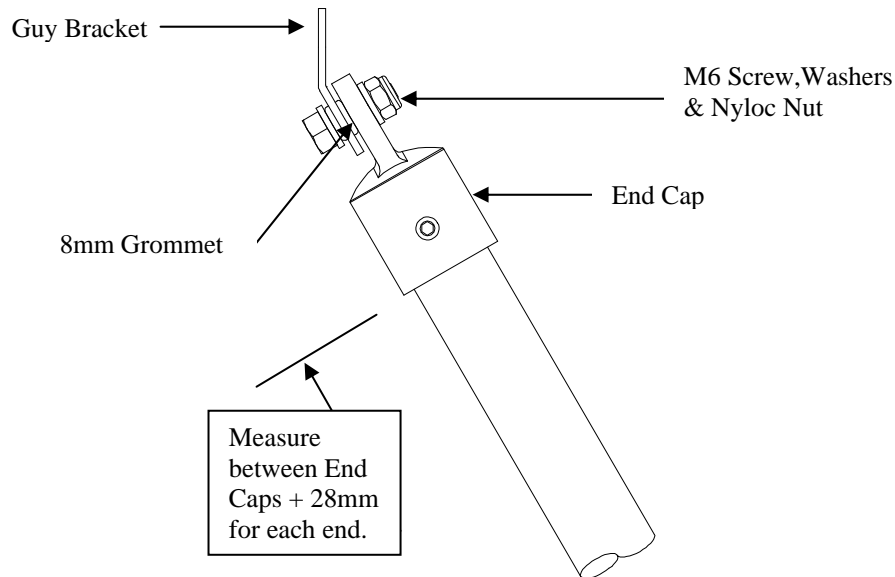


Figure 3

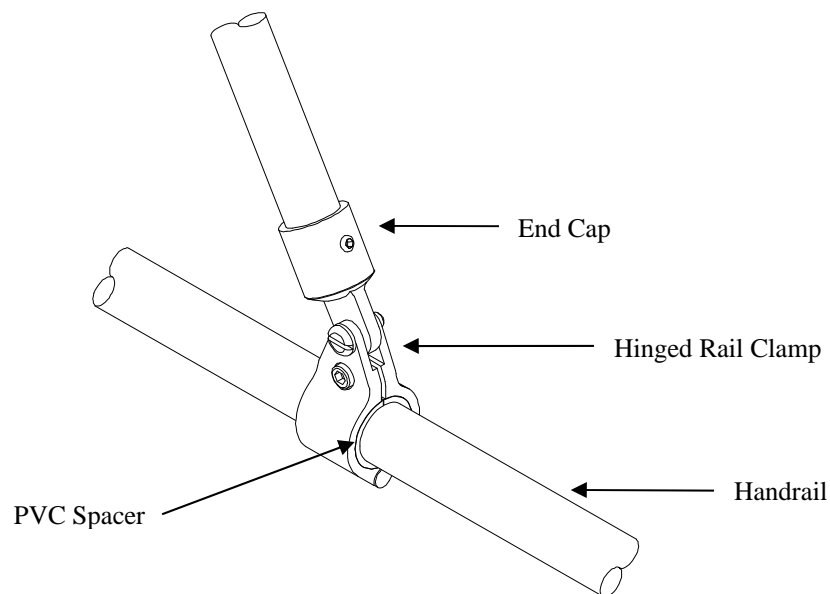


Figure 4

4. Final Assembly:

1. Fit the End Caps onto the Stays and secure with the 3mm Allen Key supplied.
2. Fit the 8mm grommet in one hole in each guy bracket.
3. Attach the top End Caps to the guy brackets using M6x20 screws, washers & nyloc nuts (Fig.3).
4. Attach the Hinged Rail Clamps to the rail in approximately the correct position with the PVC spacer between the clamp and rail-do not tighten at this stage (Fig.4).
5. Using a spirit level ensure the pole is vertical-slide the clamps along the rail as necessary.
6. When the pole is vertical tighten the clamps using the 3/16" Allen key and flat blade screwdriver.
7. Tighten the M6 nyloc nuts on the guy brackets using 10mm spanners.(see Fig.5)

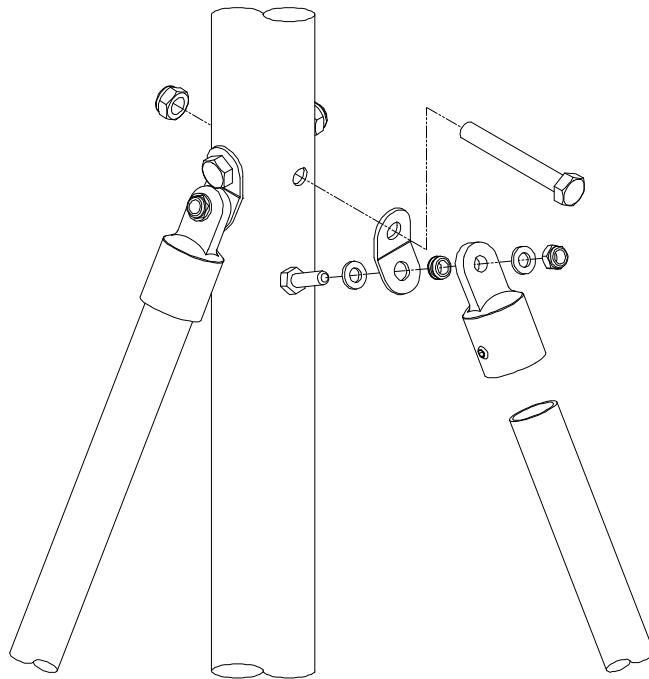


Figure 5